

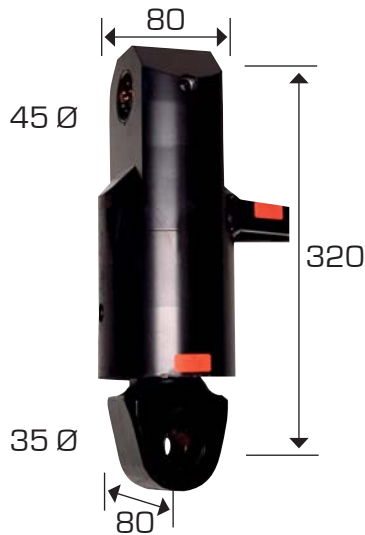
BIOFOREST TIMBER CRANE SCALE

OPERATION

Hydraulic Tamtron Bioforest scale can be installed to forwarders. It is designed for dynamic and fast pacing weighing. Weighing can be done either by foot pedal or by automatic function. For this model, standard delivery includes a foot pedal for registering the weighing.

The scale saves weighing data in bundles, total or based on material. Extensive memory can save endless amount of material information. The scale instrument is handy and easy to detach.

Together with the weighing instrument is delivered a standard 3 tons weighing link, that fits to the most of the cranes. Weighing link is developed jointly with the leading rotator manufacturers.



OPTIONS

- Alternative weighing link 3 t Ø 45-80../Ø 45-100 mm
- Alternative weighing link 6 t Ø 45-80../Ø 45-100 mm
- Display cover for cranes without cabin
- Thermo printer, extension cable for printer
- Swing brake
- Bluetooth data transfer between the weighing link and instrument in cabin
- Software upgrades

DELIVERY INCLUDES

- Scale instrument with fastener
- Weighing link 3 t Ø 45-80../Ø 35-80 mm
- Pressure transducer and installation kit
- Foot pedal
- Installation cables
- USB flash drive



TECHNICAL DATA

Weighing instrument

- Accuracy: $\pm 1-2$ % of the total load
- Instrument dimensions: 110mm x 175mm x 37mm (W/H/D)
- Screen: Hitachi 5,7" TFT color
- Memory: 99 numeric individual sum memories or alternatively alphanumeric assortment memory
- Voltage: 10-30 V
- Fuse: 1000mA standard glass fuse
- Connections: Printer (DIN6) and USB
- Max. capacity of the memory: 9 999 tons

Weighing link

- Standard 3 ton hydraulic link
- Connection: 1/4" hydraulic hose from pressure transducer
- Allowed overload: 200 % capacity with link
- Breaking strength: Max. axle weight, static 100 kN, max. axle weight, dynamic 50 kN
- Operating temperature: -20 °C - +50 °C, depending on oil type



TAMTRON®

Tel. +358 3 3143 5000
Email: weighing@tamtron.fi

Tamtron Group
P.O.Box 15 (Vestonkatu 11)
FI-33561 Tampere, Finland