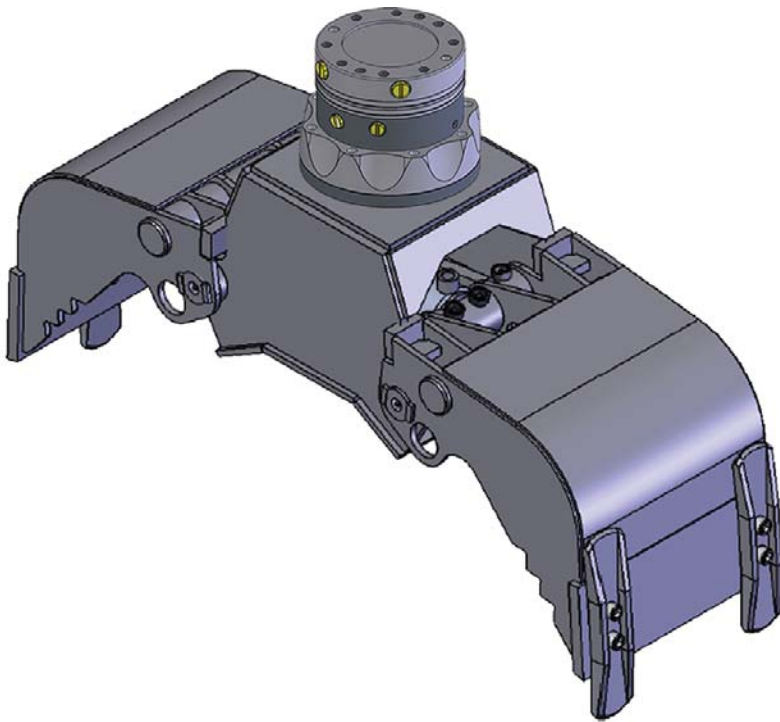
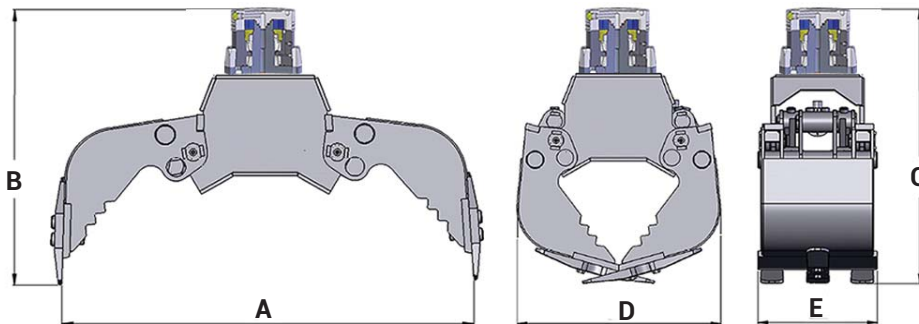


# TIGERGRIP | U-Grab 1 - 2



## KEY FEATURES

- Heavy duty
- Double guide bars
- High pressure cylinder with double piston rod seals
- High tensile wear resistant steel (400 HB)
- Extra reinforced body for rigid mounting - Excavator design
- Self lubricating bushings (not U-Grab 1 and 1,5)
- Reversible cutting edges
- High tensile wear resistant steel cutting edges (500 HB)
- Pilot operated check valve



	U-Grab 1	U-grab 1,5	U-Grab 2
<b>A</b>	1160	1418	1560
<b>B</b>	820	686	1053
<b>C</b>	918	772	1176
<b>D</b>	659	857	891
<b>E</b>	392	476	532

## MODEL SPECIFICATIONS



Model	Kg	m <sup>2</sup>	Bar	l/min	kN	ton
U-Grab 1	215	0,14	250	60	17,5	3-6
U-Grab 1,5	295	0,18	250	60	18,5	5-8
U-Grab 2	565	0,20	350	60	33	7-11

# INTERMERCATO

High performance lift and load attachments for Forestry, Transport, Construction and Recycling.

