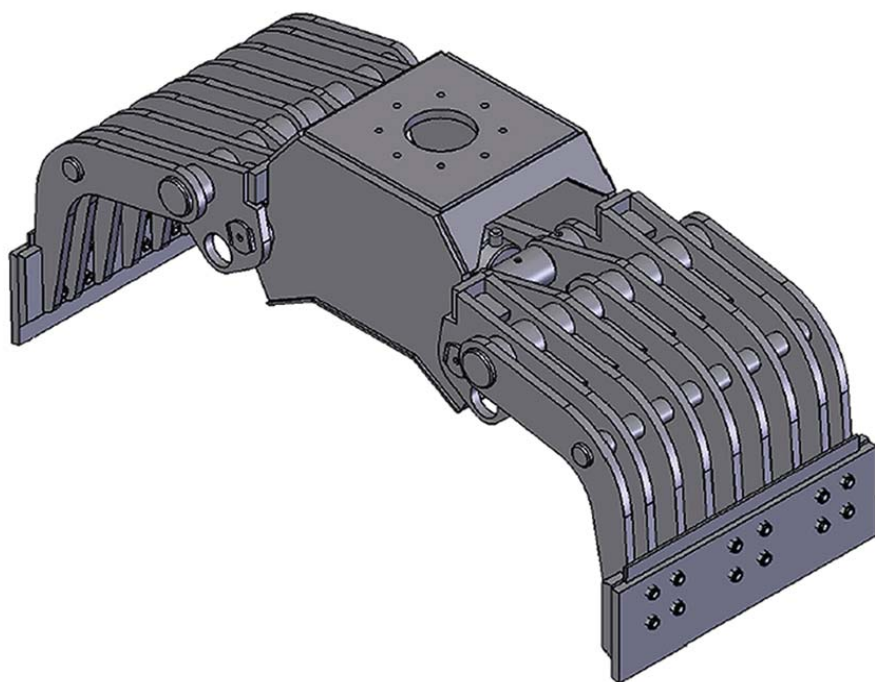
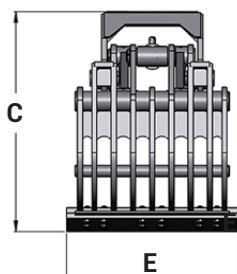
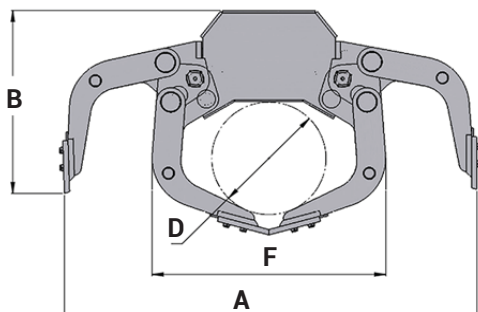


TIGERGRIP | TG 25 DGL - 30 DG



KEY FEATURES

- Heavy duty
- Double guide bars
- High pressure cylinder with double piston rod seals
- High tensile wear resistant steel (400 HB)
- Extra reinforced body for rigid mounting - Excavator design
- Self lubricating bushings
- Reversible cutting edges
- High tensile wear resistant steel cutting edges (500 HB)
- Pilot operated check valve



	TG 25 DGL	TG 25 DG	TG 30 DG
A	1936	1936	2347
B	893	893	1057
C	1095	1095	1297
D	530	530	650
E	800	800	1000
F	1085	1085	1330

MODEL SPECIFICATIONS



MODEL	Kg	m ²	Bar	l/min	kN	ton
TG 25 DGL	850	0,35	320	90	57	12-18
TG 25 DG	975	0,35	320	90	57	15-22
TG 30 DG	1465	0,50	320	90	69	20-30

INTERMERCATO

High performance lift and load attachments for Forestry, Transport, Construction and Recycling.

